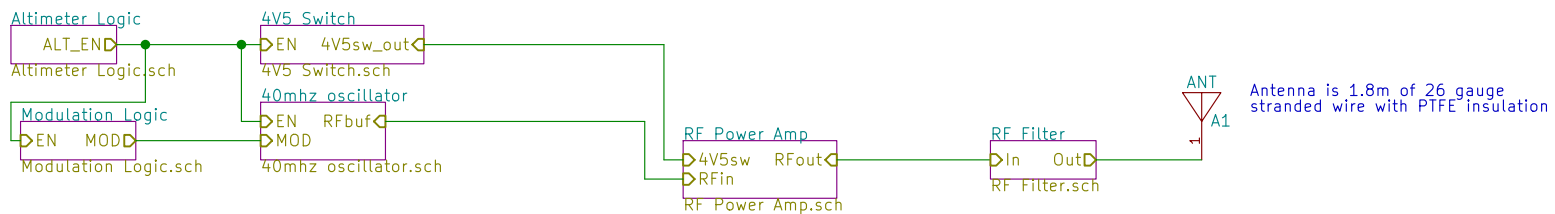
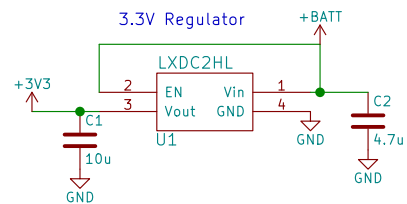
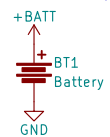


3X AA Battery Holder (4.5 V nom.)



40.68MHz Altitude Switched Secondary Balloon Recovery Radio

Copyright 2017 Tim Pegg CC BY-SA 4.0

Sheet: /

File: Secondary Recovery Beacon.sch

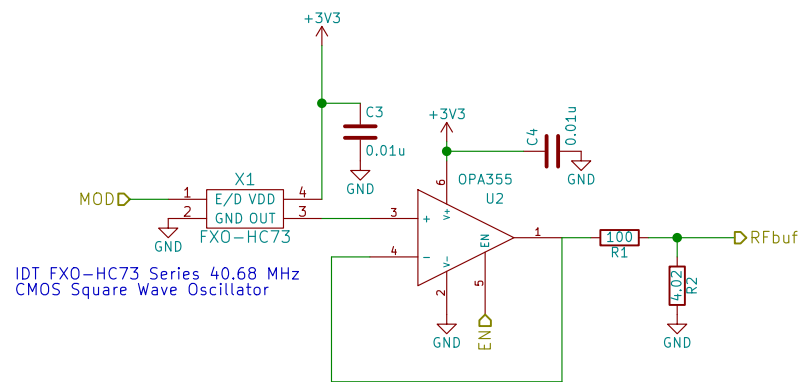
Title: Secondary Recovery Beacon

Size: A4 Date: 2017-08-16

KiCad E.D.A. kicad 4.0.1-stable

Rev:

Id: 1/7



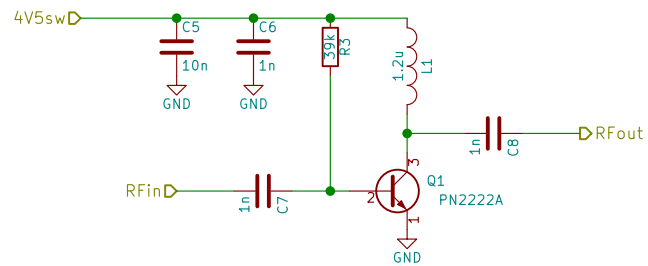
40.68 MHz Oscillator and Buffer
 Copyright 2017 Tim Pegg CC BY-SA 4.0

Sheet: /40mhz oscillator/
 File: 40mhz oscillator.sch

Title: 40.68 MHz Oscillator

Size: A4 Date: 2017-08-16
 KiCad E.D.A. kicad 4.0.1-stable

Rev:
 Id: 2/7



Class A RF Power Amp

Copyright 2017 Tim Pegg CC BY-SA 4.0

Sheet: /RF Power Amp/

File: RF Power Amp.sch

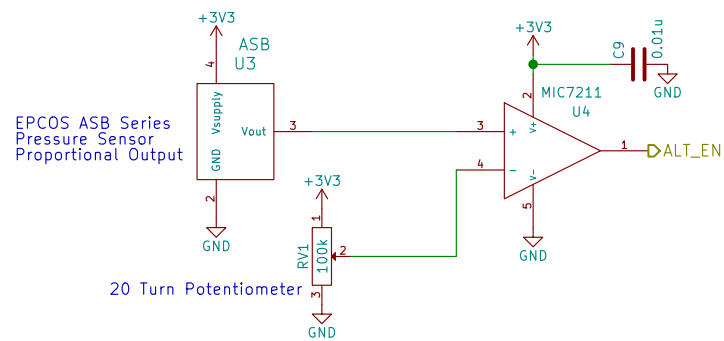
Title: RF Power Amp

Size: A4 Date: 2017-08-16

KiCad E.D.A. kicad 4.0.1-stable

Rev:

Id: 3/7



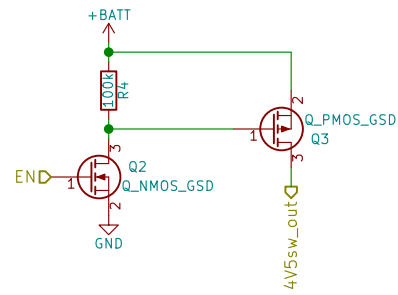
Altitude Switch (on at low altitude)
 Copyright 2017 Tim Pegg CC BY-SA 4.0

Sheet: /Altimeter Logic/
 File: Altimeter Logic.sch

Title: Altitude Switch

Size: A4 Date: 2017-08-16
 KiCad E.D.A. kicad 4.0.1-stable

Rev:
 Id: 4/7



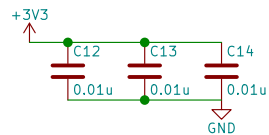
4.5V Power Switch for RF Amplifier
 Copyright 2017 Tim Pegg CC BY-SA 4.0

Sheet: /4V5 Switch/
 File: 4V5 Switch.sch

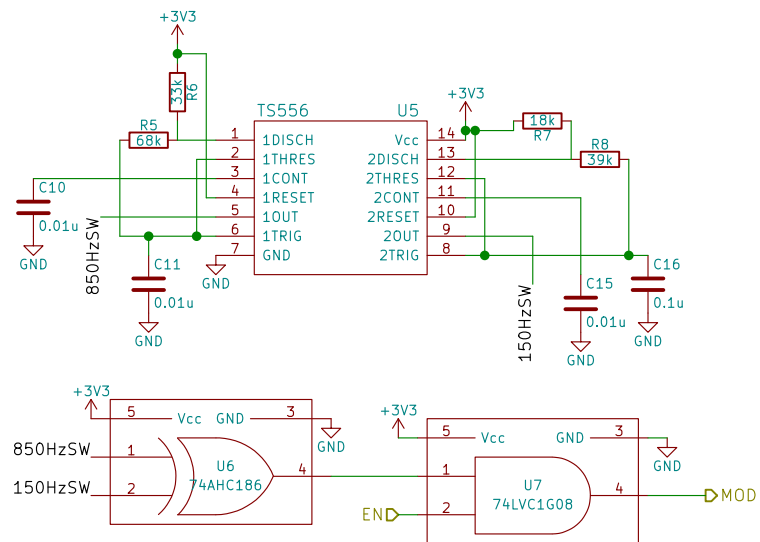
Title: 4.5V Switch

Size: A4 Date: 2017-08-16
 KiCad E.D.A. kicad 4.0.1-stable

Rev:
 Id: 5/7



Decoupling capacitors to be placed near supply pins for ICs on this page



AM Signal Source

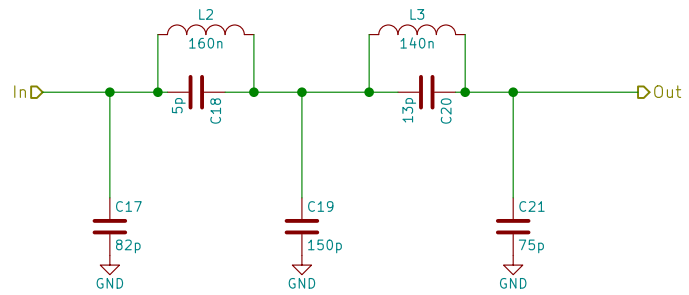
Copyright 2017 Tim Pegg CC BY-SA 4.0

Sheet: /Modulation Logic/
File: Modulation Logic.sch

Title: Modulation Logic

Size: A4 Date: 2017-08-16
KiCad E.D.A. kicad 4.0.1-stable

Rev:
Id: 6/7



Elliptic filter with 50 MHz cutoff
 Stopband begins at 110 MHz (-60 dB cutoff)

Copyright 2017 Tim Pegg CC BY-SA 4.0

Sheet: /RF Filter/
 File: RF Filter.sch

Title: RF Output Filter

Size: A4 Date: 2017-08-16

KiCad E.D.A. kicad 4.0.1-stable

Rev:
 Id: 7/7